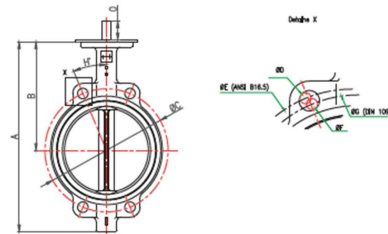
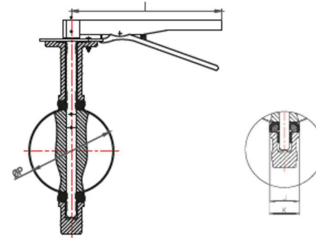


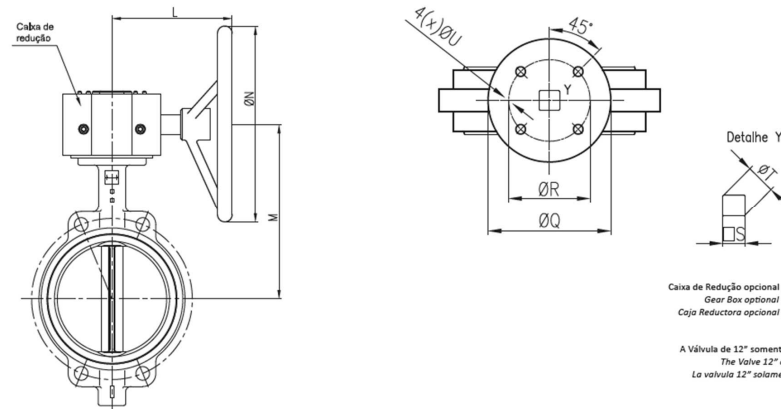
VÁLVULA BORBOLETA WAFER EM FERRO FUNDIDO PN 16 PARA TUBULAÇÃO CLASSE 150
- LINHA 9915

PMT	Vedação	Temperatura de Trabalho
232 psi (16 bar)	EPDM	-50° a 135° C

Dimensões da caixa de redução e acoplamento conforme ISO 5211 página 2



Como Especificar - 9915						
Tipo de Válvula/Classe de Pressão	Corpo	Disco + Haste	Montagem	Vedações	Extremidades	Nominal
9915 Válvulas Borboleta Wafer em Ferro Fundido PN 16	3 - FoFo	3 - FoFo Nodular / AISI 416 4 - CF8 / AISI 416	2 - Aço Carbono - AL	3 - EPDM	0 - Wafer	15 - 1.1/2"
			9 - Aço Carbono Montagem = Alavanca			20 - 2"
Exemplo: 9915.34.230.20 - Válvula Borboleta Wafer em Ferro Fundido PN 16, linha 9915, Corpo em FOFO, Disco CF8 e Haste em 416, Aço Carbono, Vedação em EPDM, Extremidades Wafer, 2"						



Caixa de Redução opcional para 4", 5", 6", 8" e 10"
Gear Box optional to 4", 5", 6", 8" and 10"
Caja Reductora opcional para 4", 5", 6", 8" y 10"

A Válvula de 12" somente com caixa de redução
The Valve 12" only with Reduction Box
La válvula 12" solamente con Caja Reductora

DIMENSÕES DA CAIXA DE REDUÇÃO BASE DE ACOPLAMENTO mm/(polegadas)

Bitola		Dimensões mm/(polegadas)						
Medida		A	B	ØC	ØD	ØE	ØF	ØG
DN	NPS							
40	1.1/2"	181,00/(7,12)	140,00/(5,51)	86,00/(3,38)	16,00/(0,63)	98,40/(3,87)	14,00/(0,55)	110,00/(4,33)
50	2"	241,00/(9,48)	161,00/(6,33)	100,00/(3,93)	19,00/(0,75)	120,70/(4,74)	14,00/(0,55)	125,00/(4,92)
65	2.1/2"	264,00/(10,39)	175,00/(6,88)	120,00/(4,72)	19,00/(0,75)	139,70/(5,50)	14,00/(0,55)	145,00/(5,70)
80	3"	276,00/(10,86)	181,00/(7,12)	127,00/(5,00)	19,00/(0,75)	152,40/(6,00)	18,00/(0,70)	160,00/(6,30)
100	4"	314,00/(12,36)	200,00/(7,87)	156,00/(6,14)	19,00/(0,75)	190,50/(7,50)	18,00/(0,70)	180,00/(7,08)
125	5"	340,00/(13,38)	213,00/(8,38)	190,00/(7,48)	22,40/(0,88)	215,90/(8,50)	18,00/(0,70)	210,00/(8,26)
150	6"	365,00/(14,30)	226,00/(8,89)	212,00/(8,34)	22,40/(0,88)	241,30/(9,50)	18,00/(0,70)	240,00/(9,44)
200	8"	435,00/(17,12)	260,00/(10,23)	268,00/(10,55)	22,40/(0,88)	298,50/(11,75)	18,00/(0,70)	295,00/(11,61)
250	10"	495,00/(19,48)	292,00/(11,49)	325,00/(12,79)	25,40/(1,00)	361,90/(14,17)	18,00/(0,70)	355,00/(13,97)
300	12"	579,00/(22,79)	337,00/(13,26)	403,00/(15,86)	25,40/(1,00)	431,80/(17,00)	22,00/(0,86)	410,00/(16,14)

Bitola		Dimensões mm/(polegadas)						
Medida		H°	I	J	K	O	ØP	Peso kg/(lb)
DN	NPS							
40	1.1/2"	45,00/(1,77)	257,00/(10,12)	33,00/(1,29)	37,00/(1,45)	26,50/(1,04)	42,30/(1,66)	2,90/(6,39)
50	2"	45,00/(1,77)	257,00/(10,12)	42,00/(1,65)	45,00/(1,77)	26,50/(1,04)	52,60/(2,07)	3,40/(7,49)
65	2.1/2"	45,00/(1,77)	257,00/(10,12)	45,00/(1,77)	47,60/(1,87)	25,50/(1,00)	64,30/(2,53)	4,20/(9,25)
80	3"	45,00/(1,77)	257,00/(10,12)	45,00/(1,77)	49,00/(1,92)	25,50/(1,00)	78,80/(3,10)	4,50/(9,92)
100	4"	22,50/(0,88)	257,00/(10,12)	52,50/(2,07)	54,70/(2,15)	25,50/(1,00)	104,00/(4,09)	5,70/(12,56)
125	5"	22,50/(0,88)	257,00/(10,12)	55,50/(2,18)	58,00/(2,28)	29,50/(1,16)	123,30/(4,85)	7,00/(15,43)
150	6"	22,50/(0,88)	257,00/(10,12)	56,00/(2,20)	58,60/(2,30)	26,00/(1,02)	155,70/(6,12)	9,20/(20,28)
200	8"	22,50/(0,88)	359,00/(14,13)	60,50/(2,38)	63,40/(2,49)	36,00/(1,41)	202,40/(7,96)	15,00/(33,06)
250	10"	15,00/(0,59)	359,00/(14,13)	65,50/(2,57)	70,00/(2,75)	36,50/(1,43)	250,40/(9,85)	21,10/(46,51)
300	12"	15,00/(0,59)	-	77,00/(3,03)	80,10/(3,15)	41,00/(1,61)	301,50/(11,87)	44,00/(97,00)

Bitola		Caixa de Redução		
DN	NPS	L	M	ØN
40	1.1/2"	-	-	-
50	2"	-	-	-
65	2.1/2"	-	-	-
80	3"	-	-	-
100	4"	156,40/(6,15)	233,80/(9,20)	146,60/(5,77)
125	5"	159,80/(6,29)	260,60/(10,25)	146,60/(5,77)
150	6"	159,80/(6,29)	260,60/(10,25)	146,60/(5,77)
200	8"	230,40/(9,07)	298,30/(11,74)	285,00/(11,22)
250	10"	230,40/(9,07)	330,80/(13,02)	285,00/(11,22)
300	12"	240,40/(9,46)	373,00/(14,68)	285,00/(11,22)

Bitola		Acoplamento conforme ISO 5211				
DN	NPS	ØQ	ØR	S	ØT	ØU
40	1.1/2"	65,20/(2,56)	50,00/(1,96)	9,00/(0,35)	12,10/(0,47)	6,70/(0,26)
50	2"	65,20/(2,56)	50,00/(1,96)	9,00/(0,35)	12,10/(0,47)	6,70/(0,26)
65	2.1/2"	65,20/(2,56)	50,00/(1,96)	9,00/(0,35)	12,10/(0,47)	6,70/(0,26)
80	3"	65,20/(2,56)	50,00/(1,96)	9,00/(0,35)	12,10/(0,47)	6,70/(0,26)
100	4"	90,20/(3,55)	70,00/(2,75)	11,00/(0,43)	14,10/(0,55)	9,30/(0,36)
125	5"	90,20/(3,55)	70,00/(2,75)	14,00/(0,55)	18,10/(0,71)	9,30/(0,36)
150	6"	90,20/(3,55)	70,00/(2,75)	14,00/(0,55)	18,10/(0,71)	9,30/(0,36)
200	8"	125,20/(4,92)	102,00/(4,01)	17,00/(0,66)	22,20/(0,87)	11,30/(0,44)
250	10"	125,20/(4,92)	102,00/(4,01)	22,00/(0,86)	28,20/(1,11)	11,30/(0,44)
300	12"	140,00/(5,51)	102,00/(4,01)	22,00/(0,86)	28,20/(1,11)	11,30/(0,44)